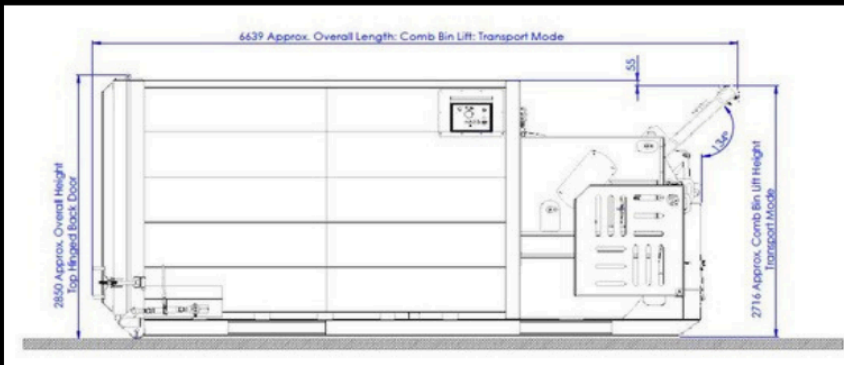
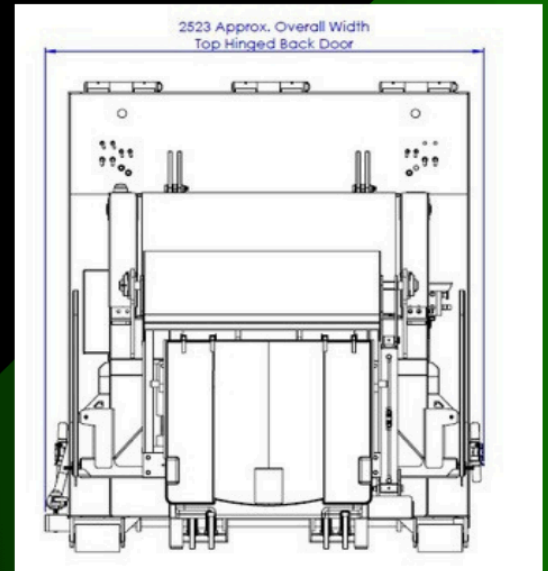
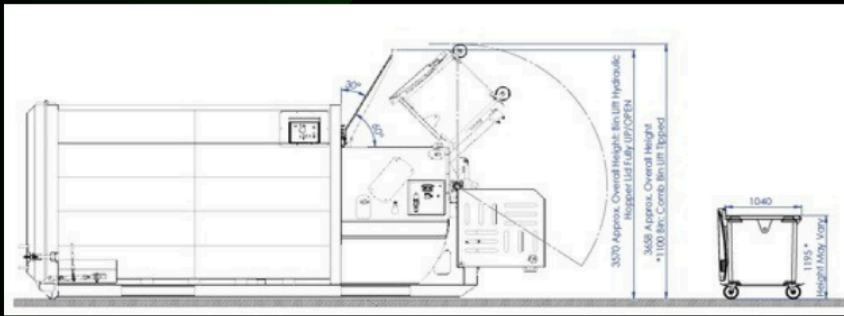


Poseidon Portable Compactor: Wet Waste Comb Bin Lift



Specification	Supplier Specification
Model	Poseidon-WW-CBL (Comb Bin Lift Vers)
Description	Poseidon Portable Compactor: Wet Waste (Pendulum Style)
Compaction Force (T)	24
Power Requirement	415V 3 Phase
Motor (kW)	5.5
Noise Level	70 DB
Cycle Time	sec per cycle: 5 No Cycles (2m 30 s)
Ram Diameter (mm)	70mm
Ram Depth (MM)	100mm Bore (2 No.Rams)
Overall Length (mm)	77200mm (Top Hinged back door)
Overall Width (mm)	2523mm (Top Hinged Back Door)
Overall Height (mm)	2850mm

